

With Push & Dose in the pouch, your customers will take part of a new and innovative sprinkle experience, getting the maximum out of your product. Always at your hand, offering an easy, even, no mess, perfect sprinkling.

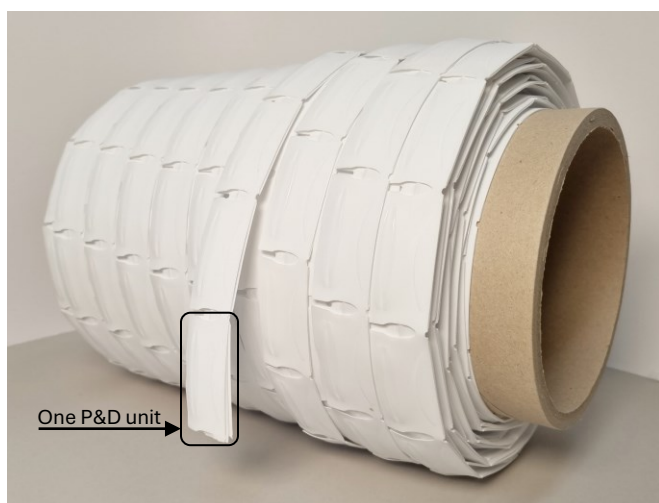
P&D can also feature a smart open and close mechanism and an access for pouring of larger servings.

Push& Dose is designed for use in contact with food products according to FDA requirements.

Push & Dose is produced as a continuous band spooled onto a reel. Each reel is wrapped in a plastic bag and placed in a crib inside a box for a safe transport of the product.

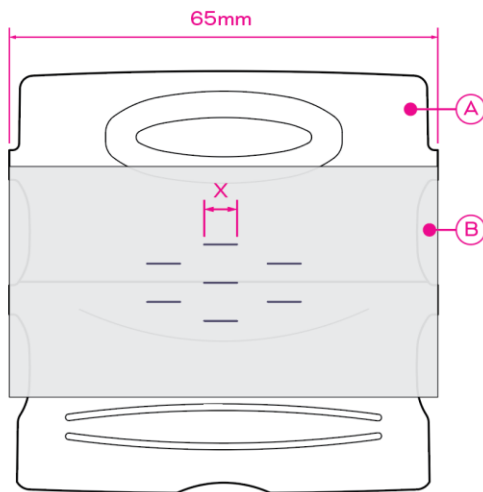
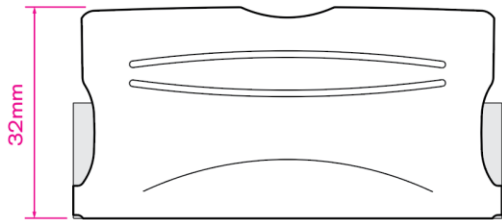
The Push & Dose reel

- Core: 6-inch paper core, l 380 mm
- P&D units: approx. 6000 pr reel
- Net weight: 17,5 Kg (nominal)
- Gross weight: 19 Kg (nominal)
- Box dimension: 40x40x40 cm
- Box is equipped with tear strip for easy opening



P&D units in a band, spooled on a reel core.





The single Push & Dose unit

A P&D unit consist of two materials joined together. A folded embossed spring plate (A) with a perforated membrane (B) inside.

The spring plate for:

- Snap to open & close feature
- Spring function when sprinkling
- Seal function when closed
- Pouch access for larger servings
- Heat seal fixation into the pouch

The membrane for:

- Optimized sprinkling function with hole pattern fitted to the product.
- Prevent leaking and for enhanced sealing of pouch P&D is closed.

Table of standard articles:

Article no.	Description
A1001	7 x 2mm slits
A1002	7 x 3mm slits
A1003	7 x 4mm slits
A1004	7 x 5mm slits
A1005	7 x 6mm slits
A1006	7 x 8mm slits
A1007	7 x 10mm slits
A1008	1 x 24mm slit

Other hole sizes available on request

The Push & Dose single unit

- Materials
 - A : PE/APET/PE (white)
 - B : Synthetic rubber (white)
- Hole pattern and size: See table
- Dimensions: l 65 - h 32 – thk 1,5 [mm]
- Unit weight: 2,7 gram (nominal)